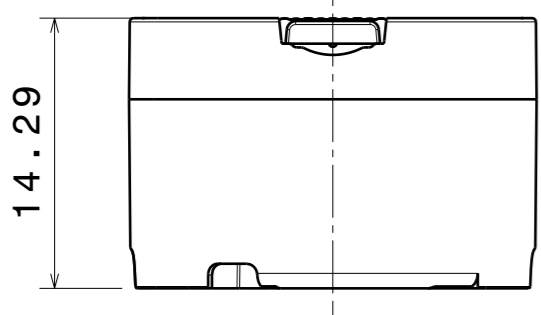
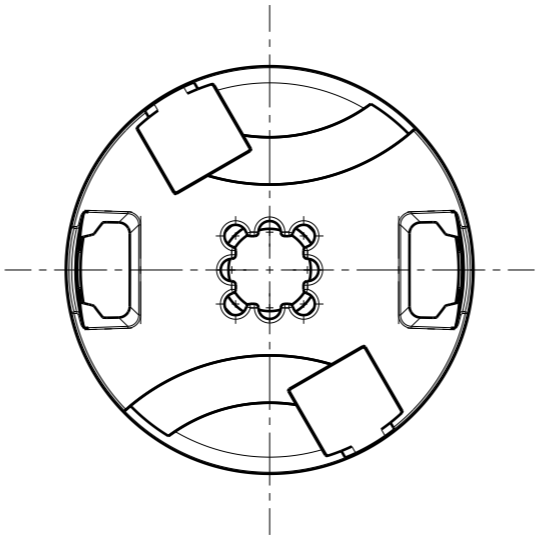


H G F E D C B A

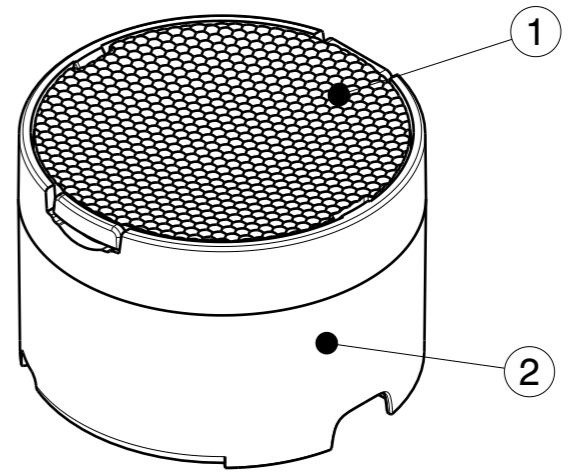


14.29

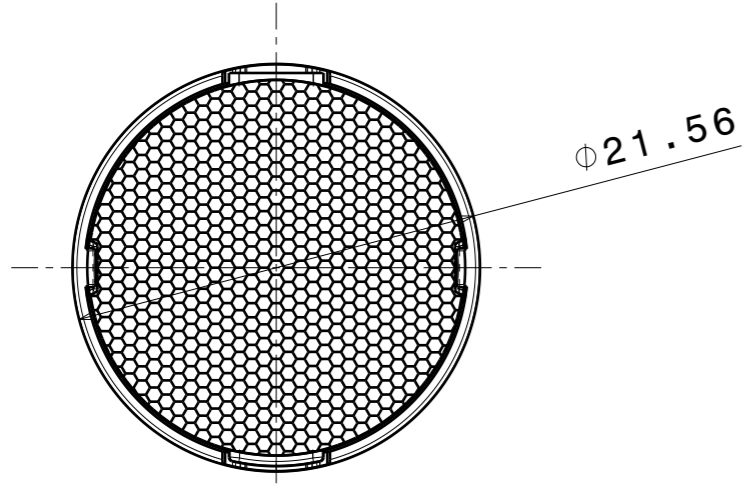
Front view



Bottom view



Isometric view



Ø21.56

Top view

**LEGEND**

1	Inspectional dimensions marked with:
2	See CAD file for detailed geometry information. Surface finishing markings are only shown in drawing level.
Surface finish:	-
Finish specifications:	-

LEDiL PROPRIETARY This drawing is the property of LEDiL Oy. It may not be reproduced, copied or communicated without a written agreement with LEDiL Oy.

Tolerances if not otherwise shown  
According to DIN ISO 2768-1  
Linear measures:  
Up to 30mm class F, otherwise class M.  
According to DIN ISO 2768-2  
Form and position: class K  
Control for SPC marked dimensions.

THIRD ANGLE PROJECTION:

DRAWN BY	DATE
lauri.stenberg	29.12.2014
CHECKED BY	DATE
-	-
DESIGNED BY	DATE
-	-

INDEX	PART NO	DESCRIPTION	MATERIAL	COLOUR
1	C11619	LXP2-M	PMMA 8N	
2	C11695	LN3-LH1-WHT	PC-Lexan 123R	white

**LEDiL** LediL Oy  
Salorankatu 10  
FIN 24240 SALO  
Finland

DRAWING TITLE				
CP10869_LN3-M				
SIZE	PART NUMBER			REV
A3	CP10869			001
SCALE	5:2	WEIGHT	2,68 g	SHEET 1/1

H G B A